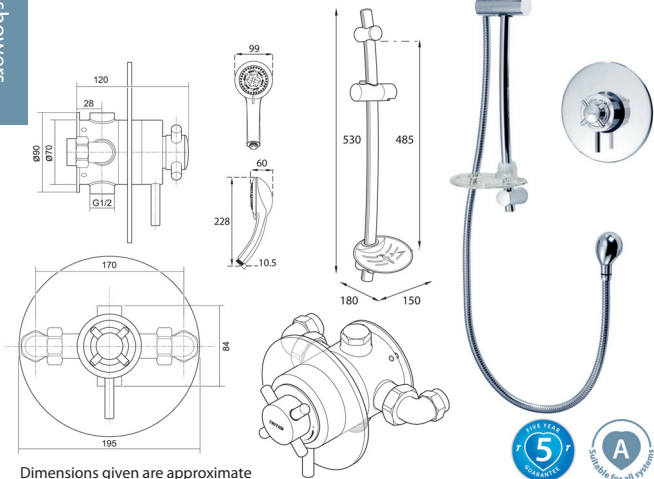


Unichrome Mersey Built-In

thermostatic mixer shower



Dimensions given are approximate

Operating Features

- Thermostatic to within 2°C
- Automatic shutdown if hot or cold supply fails
- Separate flow and temperature controls
- Flow limiter supplied
- Rub clean showerhead – 5 spray pattern

Finish	Code
Chrome	UNMEBTCM

Temperature Control	Thermostatic
Plumbing System Compatibility	Low and high pressure
Inlet Connections	15mm compression to flat face union
Water Entry Points	Rising, falling, back
Outlet Connection	1/2" BSP bottom
Minimum Running Pressure/Flow	0.1 Bar @ 8l/min
Maximum Running Pressure	5 Bar
Maximum Static Pressure	10 Bar
Open Outlet Flowrate at 0.1 Bar	5.7l/min
Built-In depth	55mm minimum
Maximum Flow with Flow Limiter Fitted	8l/min
Pipe Inlet Centres	170mm
Approvals, Complies with	BS-En 1111, 1287
Guarantee	5 years