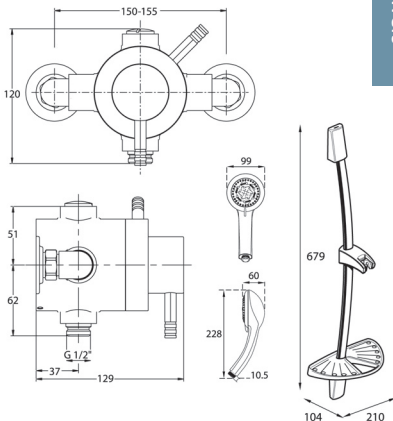


Unichrome Thames Exposed

thermostatic mixer shower



Dimensions given are approximate

Temperature Control	Thermostatic
Plumbing System Compatibility	Low and high pressure
Inlet Connections	15mm compression
Water Entry Points	Rising, falling, back
Outlet Connection	1/2" BSP bottom
Minimum Running Pressure/Flow	0.1 Bar @ 8l/min
Maximum Running Pressure	5 Bar
Maximum Static Pressure	10 Bar
Open Outlet Flowrate at 0.1 Bar	10.8l/min
Maximum Flow with Flow Limiters Fitted	12l/min
Pipe Inlet Centres	150-155mm
Approvals, Complies with	BS-En 1111, 1287
Guarantee	5 years

Operating Features

- Thermostatic to within 1°C
- Separate temperature and flow controls
- Automatic shutdown if hot or cold supply fails
- Flow limiters supplied
- Rub clean showerhead – 5 spray pattern

Finish	Code
Chrome	UNTHEXCM