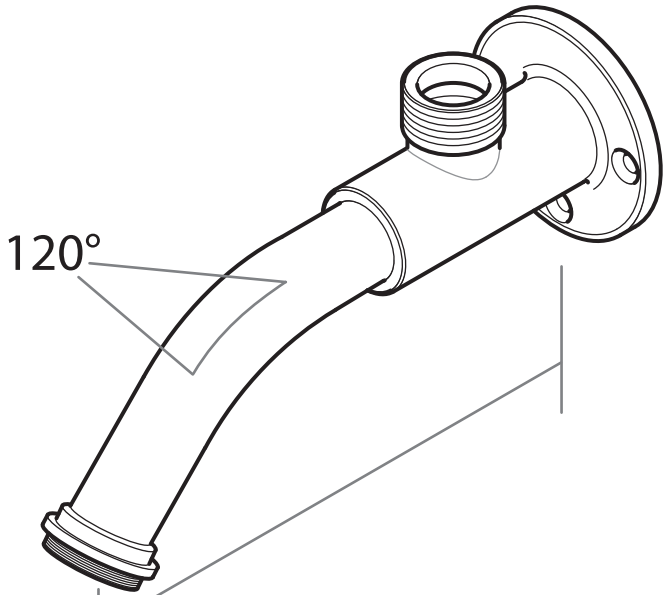


***Shower arm
(top entry fitting)***



90mm

No: 88400017

INSTALLERS PLEASE NOTE THESE INSTRUCTIONS ARE TO BE LEFT WITH THE USER

SHOWER ARM (top entry fitting) Material: Brass construction

INSTALLATION

Note: Before installation, it is advised that the mounting surface is made good to give a solid fixing point for the shower arm. It is not advised to fix the arm through plasterboard alone.

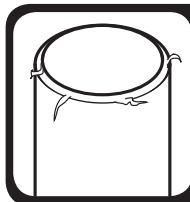
Slide the shower arm up onto the descending pipework (taking care not to damage the O-ring) and mark the position of the fixing holes against the wall. Remove the shower arm and drill the fixing holes inserting suitable wall plugs (**fig.1**).

WARNING!

Check there are no hidden cables or pipes before drilling holes for wall plugs. Use great care when using power tools near water. The use of a residual current device (RCD) is recommended.

Take the chrome trim plate supplied and slide it up the descending pipework and press until flush with the ceiling (**fig.2**).

Make sure that the nut is placed onto the descending pipework before putting the olive on. Tighten the compression nut onto the shower arm. Once the pipework is secure using appropriate screws secure the shower arm to the wall (**fig.3**).



NOTE:

Make sure the end of the pipework is clean and remove any sharp burrs, failure to do so may cause damage to the O ring.

SPARES LIST



1. Compression nut
21000420



2. Olive
21000040



3. Chrome ceiling trim plate
83312230

